

CUBP Steam Cracker Burner

Honeywell UOP Callidus

Site:
Beggs OK

Burner Test Date:
March – April 2022

Equipment Tested:
CUBP-F-6W



Callidus Technologies, LLC
7130 S Lewis Ave, Suite 500
Tulsa, OK 74136-5488
Phone No.: (918) 496-7599

Project: **Low NO_x Burner 2021 Z21**

Revision: 0
August 9, 2022

This burner witness test was conducted at the UOP Callidus Manufacturing and Testing Facility located at:

2499 Highway 16
Beggs, OK 74421-9581
Phone No.: (918) 467-4920

Callidus Tulsa Team

Name	Title
Kurt Kraus	Principal Combustion Engineer
Zhili Qin	Technical Lead

Callidus Test Facility Personnel

Name	Title
Dusty Richmond	Test Facility Manager
Godfrey Wanyama	Test Engineer

TABLE OF CONTENTS

I.	Burner Test for CUBP Steam Cracker Service	4
A.	Installation.....	5
B.	Executive Summary	5
II.	Appendix	6
A.	Test Data	7
B.	Test Equipment.....	9
1.	Test System Configuration.....	10
2.	Test Furnace.....	11
3.	Instrumentation	12
4.	Flue Gas Sampling	13
5.	Data Acquisition and Reduction	14

I. Burner Test for CUBP Steam Cracker Service

A. Installation

Two CUBP-F-6W burners were installed vertically on the floor of Test Furnace #6 and located against the wall opposite of the cooling tubes of the furnace. (Information about Test Furnace #6 can be found in Appendix B)

B. Executive Summary

Testing for CUBP burner for Steam Cracker service was successful.

- Fuel gases from 100% NG to 100% H₂ were tested. Burners were stable and NO_x emission were reduced to sub-25 ppm for both fuels.
- Lowest NO_x emissions were achieved when firing 100% H₂.
- CUBP burner for steam cracker service achieved the target requirement of less than 50 mg/Nm³ NO_x emission.

II. Appendix

Uncontrolled Document when removed from the Documentation System – Compare Revision Number to original, in the Documentation System, to verify that this is the most recent copy or reprint.

Note: The information in this document is confidential and the property of Callidus Technologies, LLC and must not be disclosed to others or reproduced in any manner or used for any purpose without its written permission. **Honeywell Classification: Internal**

A. Test Data

Uncontrolled Document when removed from the Documentation System – Compare Revision Number to original, in the Documentation System, to verify that this is the most recent copy or reprint.

Note: The information in this document is confidential and the property of Callidus Technologies, LLC and must not be disclosed to others or reproduced in any manner or used for any purpose without its written permission. **Honeywell Classification: Internal**



Table 1. Test Data for 100% NG & 100% H2 Fuels

Client	CALLIDUS	Work Order	Low NOx Z21		
Date	1/31/2022	Furnace #	F6		
Burner Description	CUBP-F-6W				
Test Point #		BASELINE	FGR	BASELINE	FGR
Time		11:05 AM	11:49 AM	1:35 PM	2:14 PM
Fuel Gas Composition					
Total Burner Heat Release	MMBtu/hr	12.68	12.74	12.69	12.69
Fuel Gas 1 Name		100% NG	100% NG	100% H2	100% H2
Heating Release - LHV	MMBtu/hr	12.68	12.74	12.69	12.69
Heating Value	Btu/SCF	958.0	958.0	274.0	274.0
Specific Gravity		0.622	0.622	0.070	0.070
CO	%	0.00%	0.00%	0.00%	0.00%
NG	%	100.00%	100.00%	0.00%	0.00%
H2	%	0.00%	0.00%	100.00%	100.00%
Pressure					
Fuel Gas 1 Tip Pressure	Psig	25.6	27.1	32.5	33.4
Airside Pressure Drop	in. W.C.	0.37	0.53	0.31	0.44
Primary Damper Position		WO	WO	WO	WO
Temperature					
Ambient Air Temperature	F	58.4	63.3	69.2	78.3
Upper Furnace Temperature	F	2208.1	2257.9	2342.8	2367.9
Fuel Gas 1 Temperature	F	65.4	69.6	68.7	77.5
Emissions					
Actual O2 % (Dry)		1.95	2.03	1.92	1.90
NOx @ 3% O2	PPMV	31.44	23.58	30.53	18.82
Notes					

Honeywell - Confidential

Uncontrolled Document when removed from the Documentation System – Compare Revision Number to original, in the Documentation System, to verify that this is the most recent copy or reprint.

Note: The information in this document is confidential and the property of Callidus Technologies, LLC and must not be disclosed to others or reproduced in any manner or used for any purpose without its written permission. **Honeywell Classification: Internal**

B. Test Equipment

Uncontrolled Document when removed from the Documentation System – Compare Revision Number to original, in the Documentation System, to verify that this is the most recent copy or reprint.

Note: The information in this document is confidential and the property of Callidus Technologies, LLC and must not be disclosed to others or reproduced in any manner or used for any purpose without its written permission. **Honeywell Classification: Internal**

1. Test System Configuration

The general layout for any test includes test fuel gas storage, a test fuel gas blending station, a furnace, a cooling water circulation system, and a flue gas sample system.

Test fuel gas is blended to adequately simulate site fuel gas by metering and measuring each component gas and mixing in a fuel header before delivery to the test burner. Each test fuel gas is calculated to simulate the site fuel gas using Wobbe number, heating value, and specific gravity. The burner is mounted in the most appropriate test furnace as close to the field mounting configuration as possible with regards to overall burner duty or combined burner duty. Water is circulated through process tubes in the furnace to remove heat. The temperature of the furnace is controlled as close to the design temperature as possible through insulation of the cooling tubes.

Various pressure, temperature, and differential pressure transmitters are placed in this system for measurement of all critical parameters. A vacuum pump draws a sample of the flue gas at the exit of the radiant section and delivers the sample to gas analyzers located in the Central Control Room (CCR).

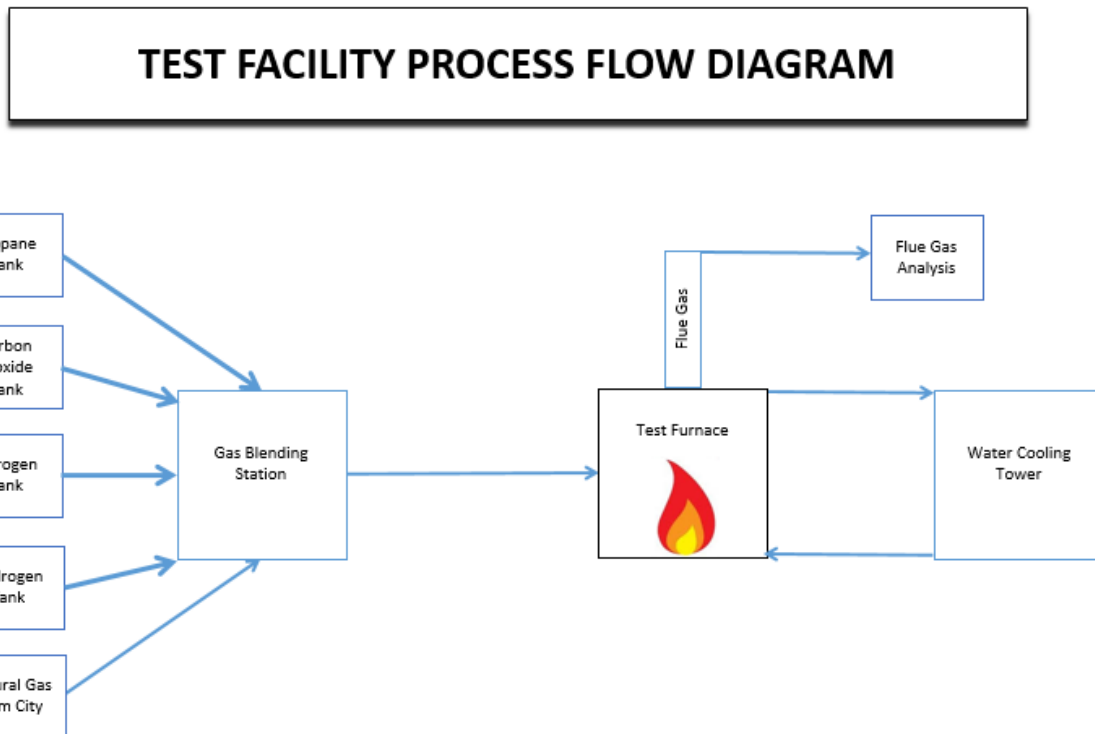


FIGURE 1

2. Test Furnace

Furnace 6: This furnace is a horizontal box section measuring 7' (L) x 7' (W) x 45' (H) with burner mounting in the bottom or side and 4 additional burner ports at 8' intervals up the side of the furnace. It also has a crossover section emulating the transition in an ethylene furnace with an additional 24' stack. The furnace has access platforms at 8' intervals and numerous sight ports. Cooling tubes are located adjacent to one wall to simulate process tubes in a fired heater. Burners are mounted in the floor against the wall.

A suction pyrometer is located near the exit of the radiant section. A Flue Gas Sample Port is located just after the exit of the radiant section. Note: there is no convection section on this furnace. The draft across the burner (floor draft) is measured via a differential pressure. The draft across the burner (floor draft) is measured via a differential pressure. The downstream pressure tap is located at the floor of the furnace. The upstream pressure tap is located either in the ducting upstream of the burner for forced draft applications or is open to atmosphere in natural draft applications. **See FIGURE 2 for Furnace Layout.**

Furnace #6 WallFired

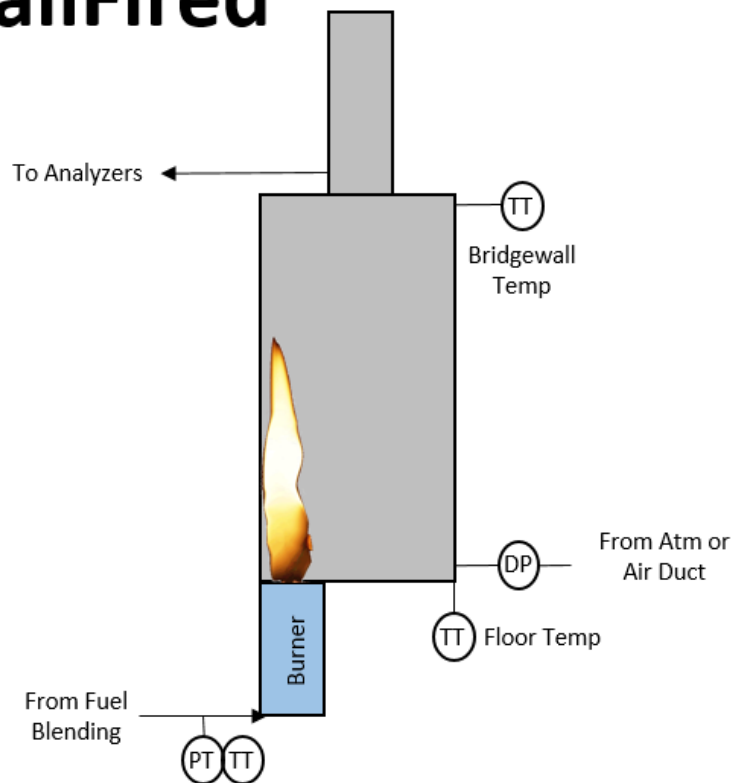


FIGURE 2

3. Instrumentation

Each component of the test fuel is controlled by automated flow control valves and measured by the use of an individual orifice run, which conforms to American Gas Association (AGA) specifications. Orifice plates are selected to provide accurate ranges of flow. Fuel temperature, orifice differential pressure, and operating pressures are transmitted to the Honeywell Distributed Control System (DCS) which calculates individual component flow rate, specific gravity, and heating value. These values are totaled up and recorded to define the overall characteristics of the Test Fuel Blend. **See FIGURE 3.**

A Suction Pyrometer, mounted at the end of the radiant section, measures the temperature of the radiant section / bridgwall temperature. Honeywell Wireless pressure, differential pressure, and temperature transmitters monitor furnace draft across the burner, fuel pressure, fuel temperature, and furnace temperature, all of which are transmitted wirelessly to the DCS. **Reference FIGURE 2.**

Flame dimensions are ascertained visually and recorded manually unless otherwise stated.

Example Blending Station

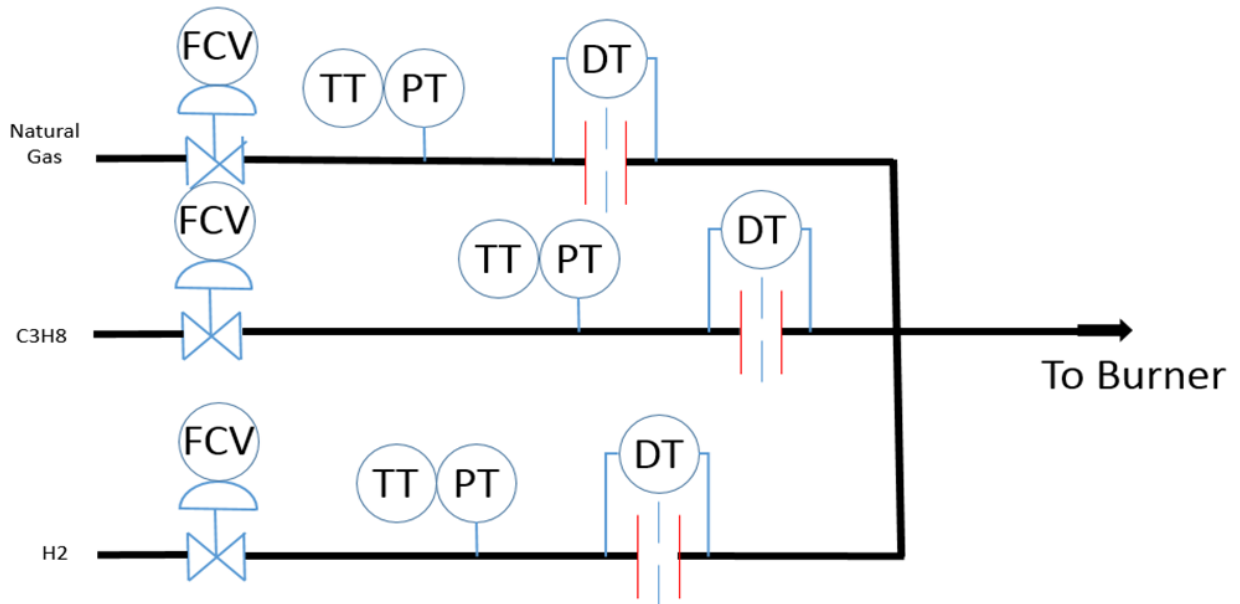


FIGURE 3

4. Flue Gas Sampling

Flue gas samples are drawn from the end of the radiant section through a heated stainless steel line by the use of a Vacuum Diaphragm Pump. Water is removed from the sample gas via a Thermoelectric Gas Cooler of make and model common in refinery Continuous Emissions Monitoring Systems (CEMS), then delivered to analyzers for analysis.

NO_x content is measured using chemiluminescence detection. Excess oxygen content is measured using paramagnetic detection. Carbon monoxide content is measured using infrared detection. All of the instruments are calibrated using certified zero and span gases in the operating range of the test facility. Calibration of the meters is done before and after each test, and at any time that there is questionable data. **See FIGURE 4.**

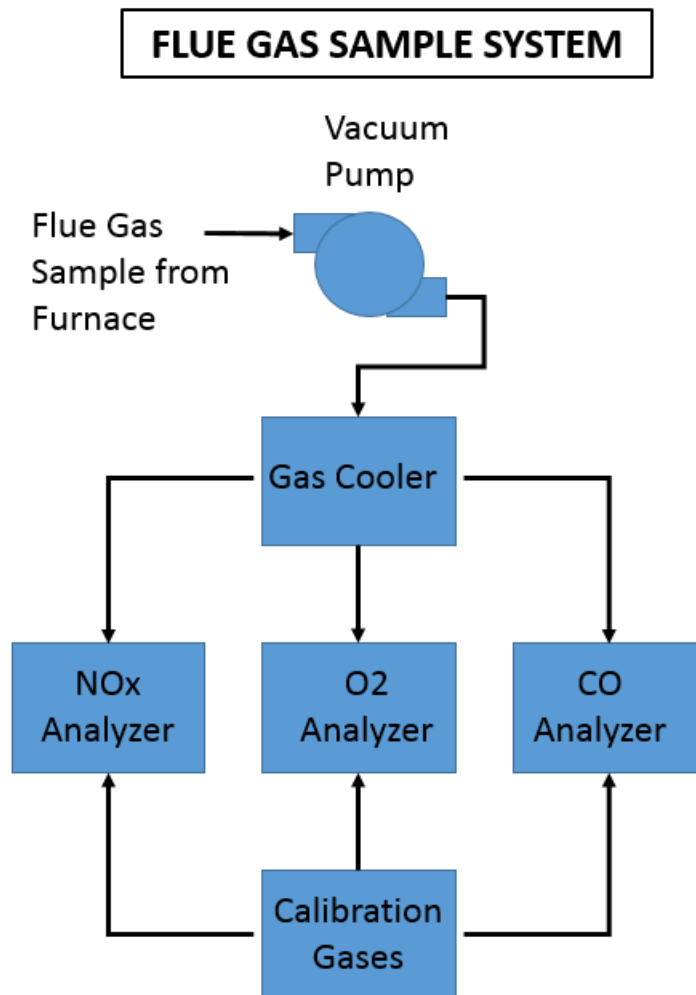


FIGURE 4

5. Data Acquisition and Reduction

All field instruments and flue gas analyzers transmit to a Honeywell DCS. These process variable signals are converted from analog to digital then to engineering units in the DCS. All flow calculations are also made by the DCS. The converted and calculated process variables then populate a spreadsheet specifically designed to calculate critical values that cannot be measured directly, such as fuel heating value, specific gravity, percentage (%) of total flow for each fuel, etc.

The spreadsheet also calculates corrected values for NO_x and CO based on deviation from design excess oxygen, site furnace temperature, and site combustion air temperature. Correction for excess oxygen is performed using EPA methods. Correction for furnace temperature and combustion air temperature are performed using empirical, proprietary curves and equations developed specifically for each type of Callidus burner through extensive testing. These curves are similar to those found in API 535.

Pressure loss (draft) across the burner is corrected for deviation from design site elevation (atmospheric pressure), site humidity, and combustion air temperature. Fuel pressure is corrected for deviation from design fuel temperature.

Data is acquired by the system every one (1) second. The DCS provides a ten (10) second rolling average to the spreadsheet. When equilibrium is attained for a particular operating condition, the data is saved.